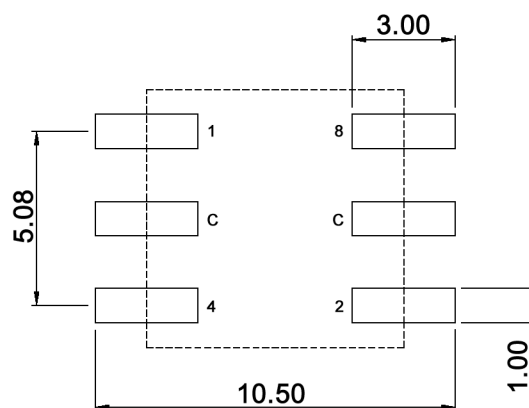


		BCD				
		Real coded				
10 P o s i t i o n s	C	1	2	4	8	
	0	●				
	1	●	●			
	2	●		●		
	3	●	●	●		
	4	●			●	
	5	●	●		●	
	6	●		●	●	
	7	●	●	●	●	
	8	●				●
9	●	●			●	

P.C.B. DIMENSION

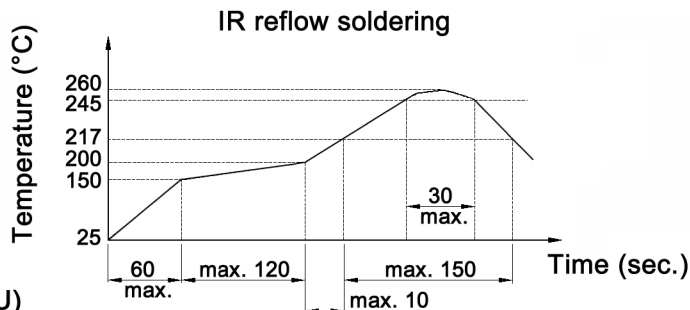


Specifications:

- Contact rating: non-switching: 400mA, 42V
switching: 100mA, 42V
- Contact resistance: 80mOhm max.
- Insulation resistance: 100MOhm min. at 250V DC for 1 minute +/-5sec.
- Dielectric strength: 250V DC (50Hz/60Hz) for 1 minute
- Operating temperature: -50°C to +125°C
- Storage temperature: -55°C to +135°C
- Mechanical life: 25 000 cycles
- Operating force: 120 +/-30gf/cm
- Material: Cover / spring plate / guide plate: stainless steel
Contact / terminal: phosphor bronze, min. 0.07µm gold plated over min. 0.3µm nickel
Rotor / base: LCP, UL94V-0
O-ring: silicone
Actuator color: pink

Protection: IP67

Soldering conditions:



Compliance: RohS II (2011/65/EU)

Tolerances:	Date	Name
	10/08	dr
Packaging	02/15	dr
Packaging	06/12	dr
Soldering conditions	10/09	dr
Material	05/09	dr
Modifications	Date	Name

SMR 15010

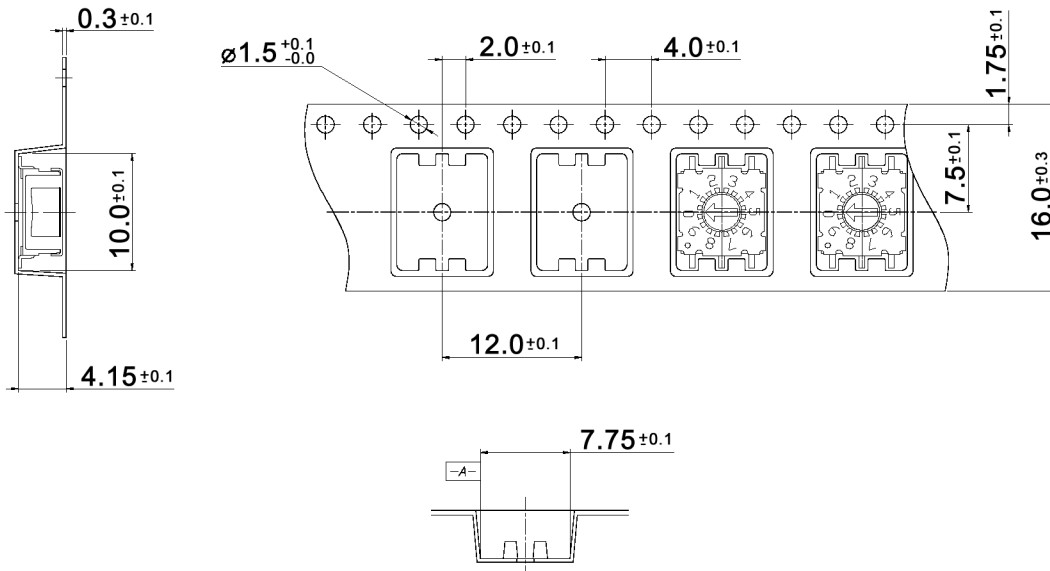
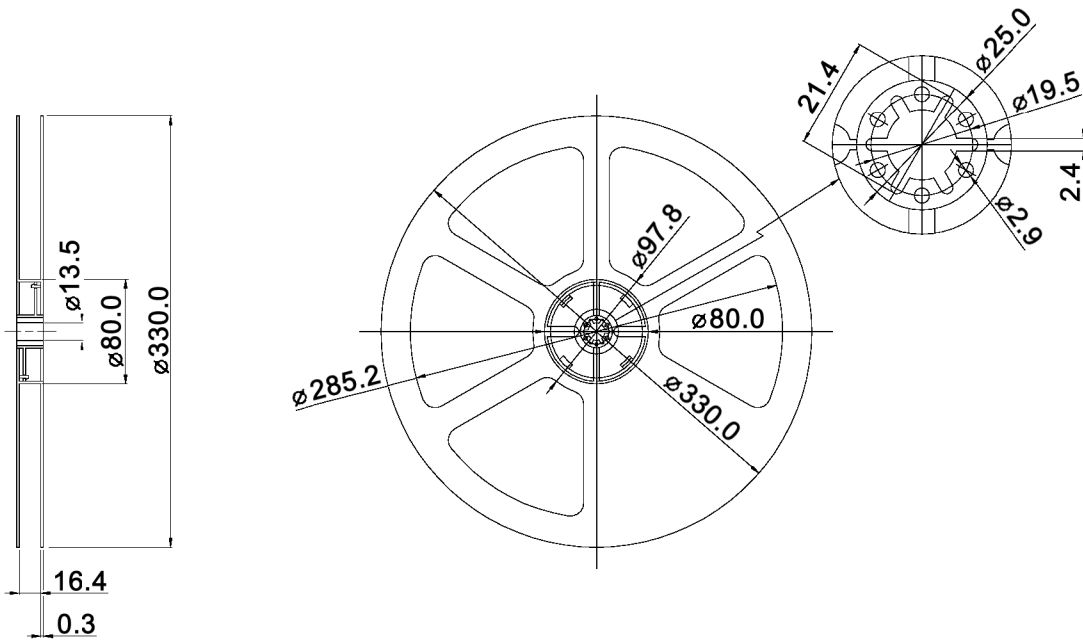
30 16 16

knitter-switch

Page

1/2

Packaging:



Type	Packaging unit
SMR 15010	70 pcs. per stick
SMR 15010 T	1300 pcs. per reel

Tolerances on tape: $\pm 0.20\text{mm}$
 Compliance: RohS II (2011/65/EU)

Tolerances:	Date	Name
0.0: $\pm 0.13\text{mm}$	10/08	dr
0.00: $\pm 0.10\text{mm}$		
Modifications	Date	Name

SMR 15010

knitter-switch

30 16 16

Page

2/2